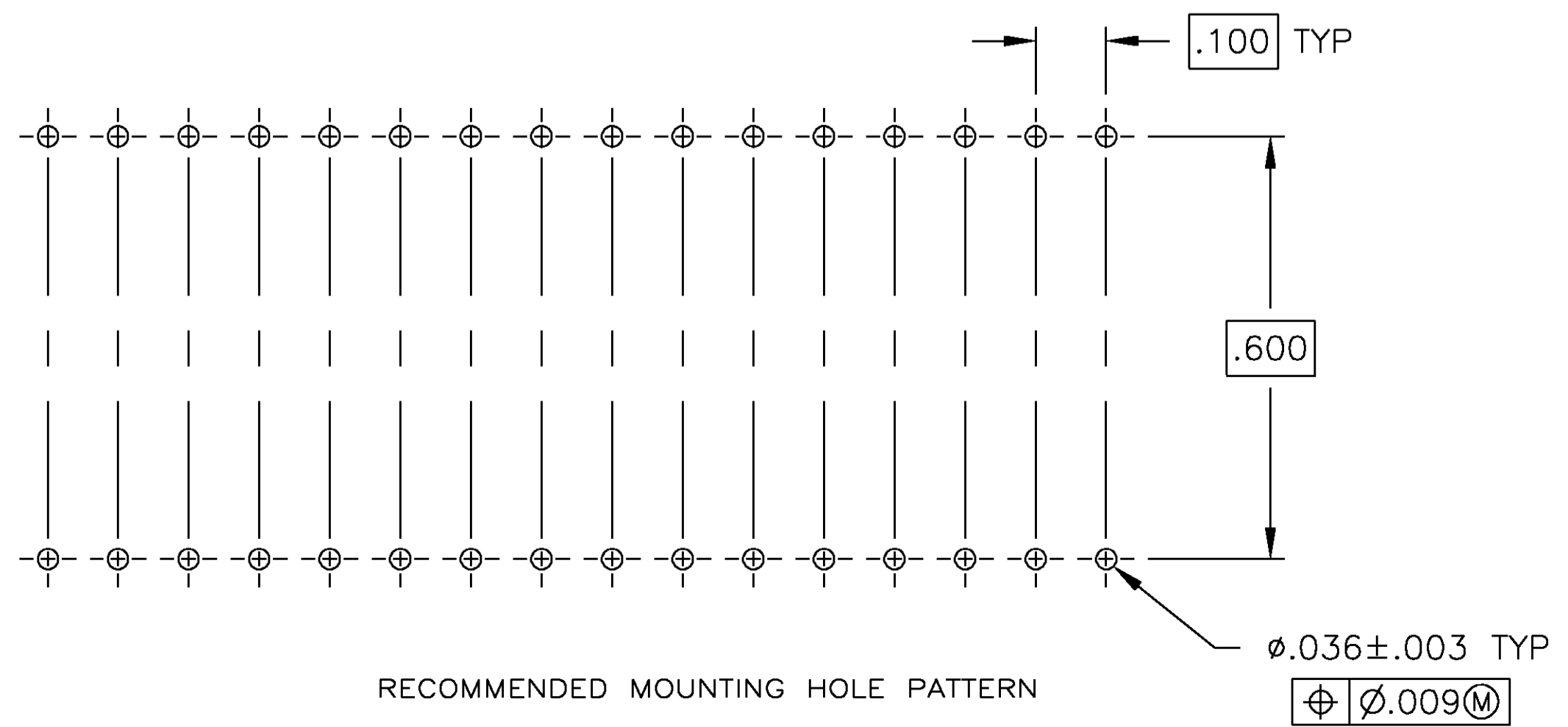
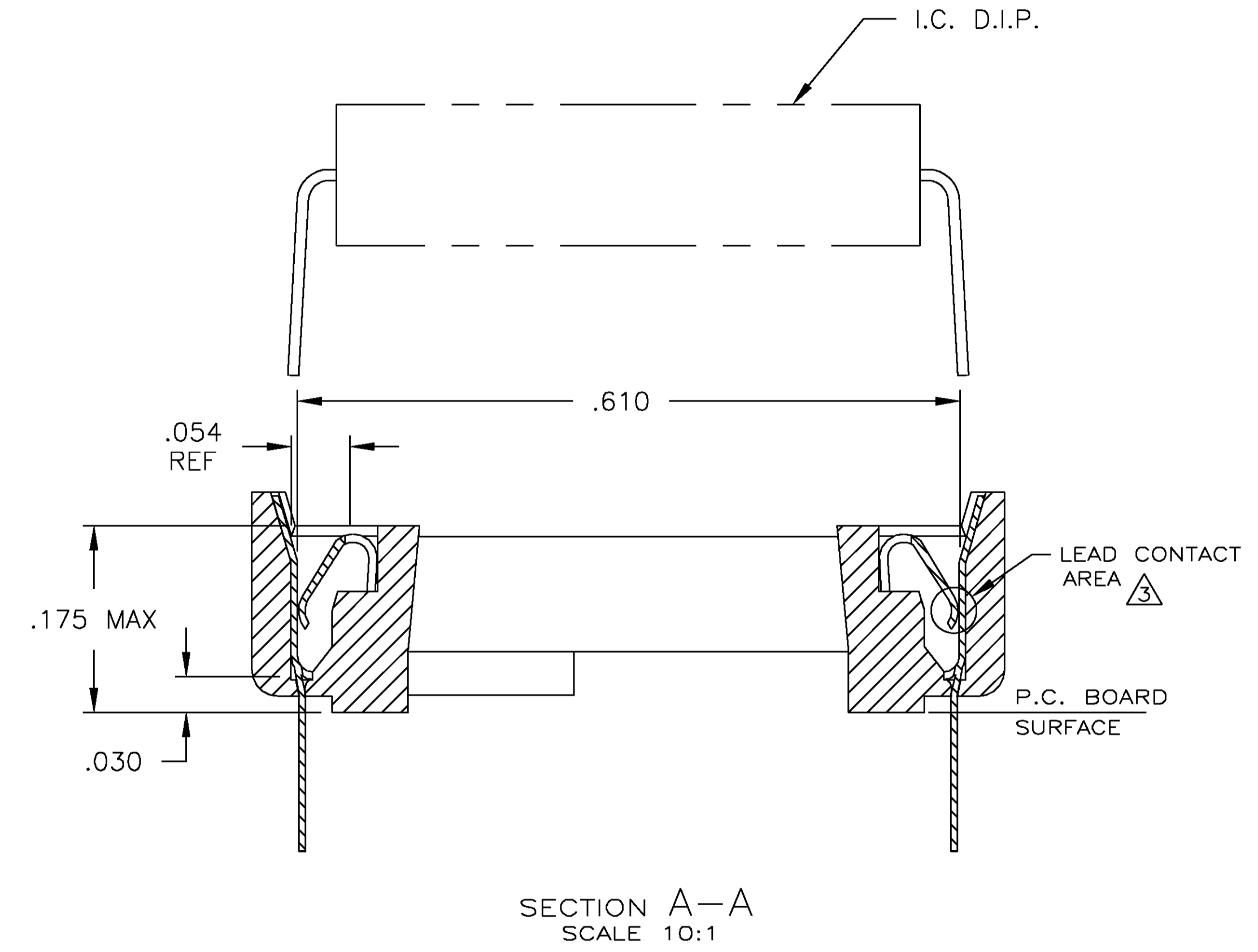
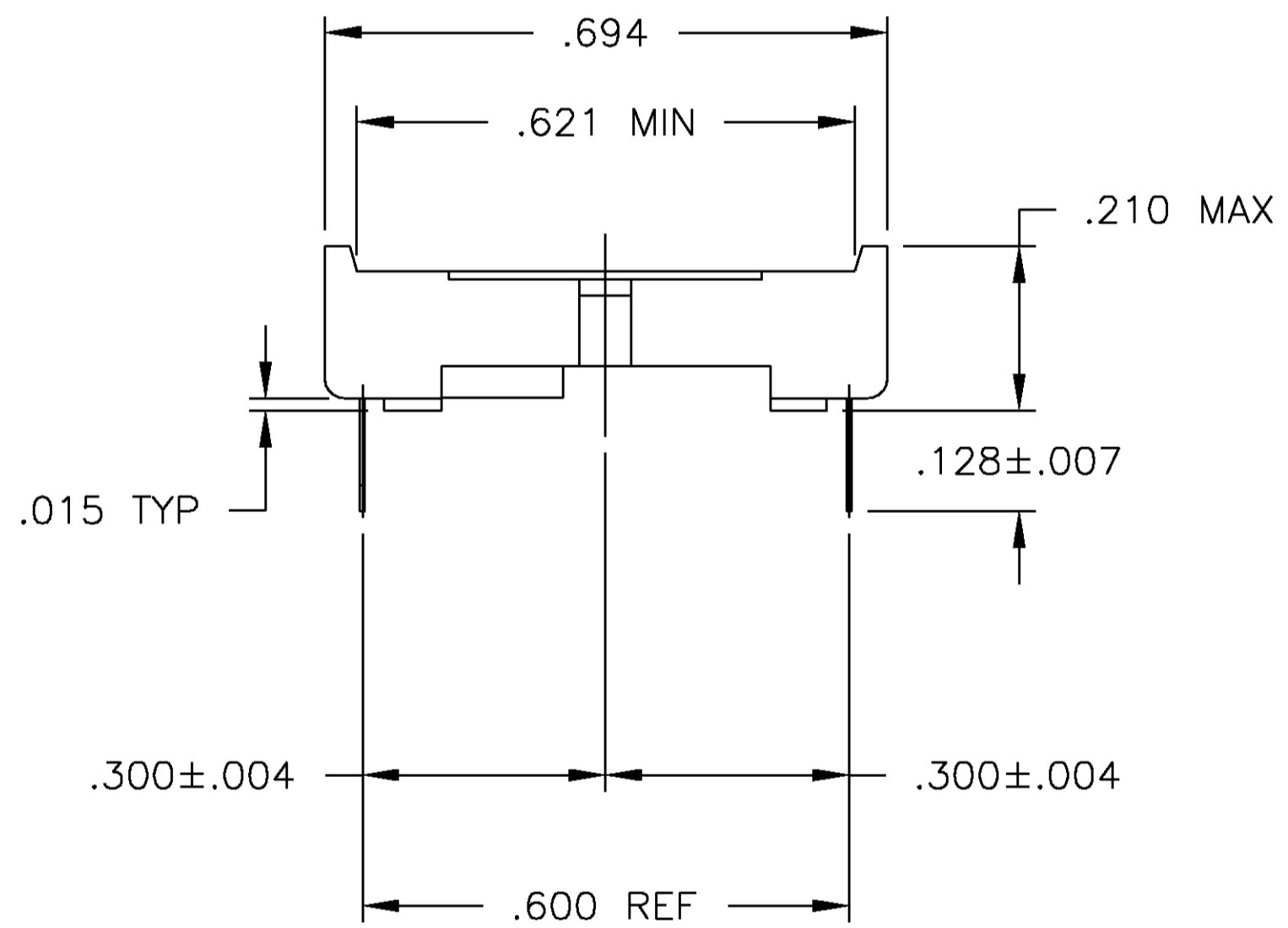
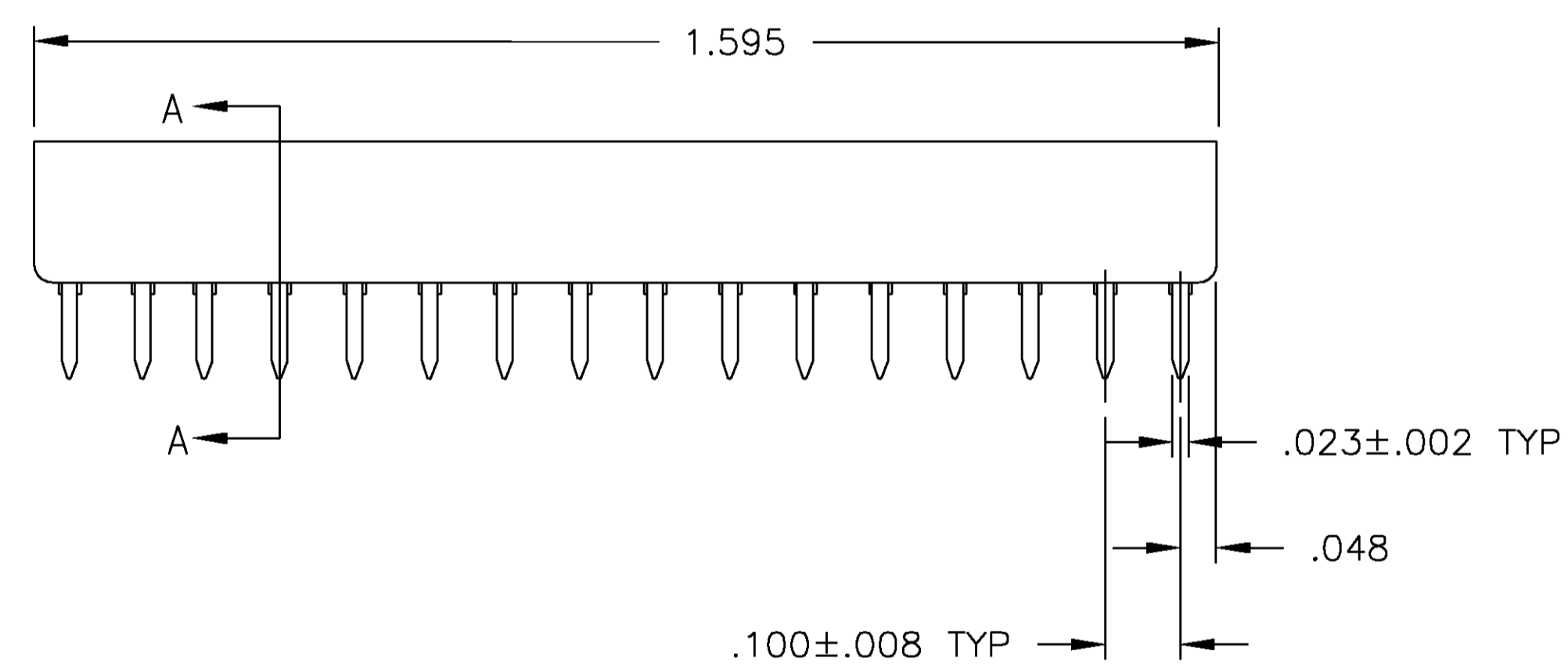
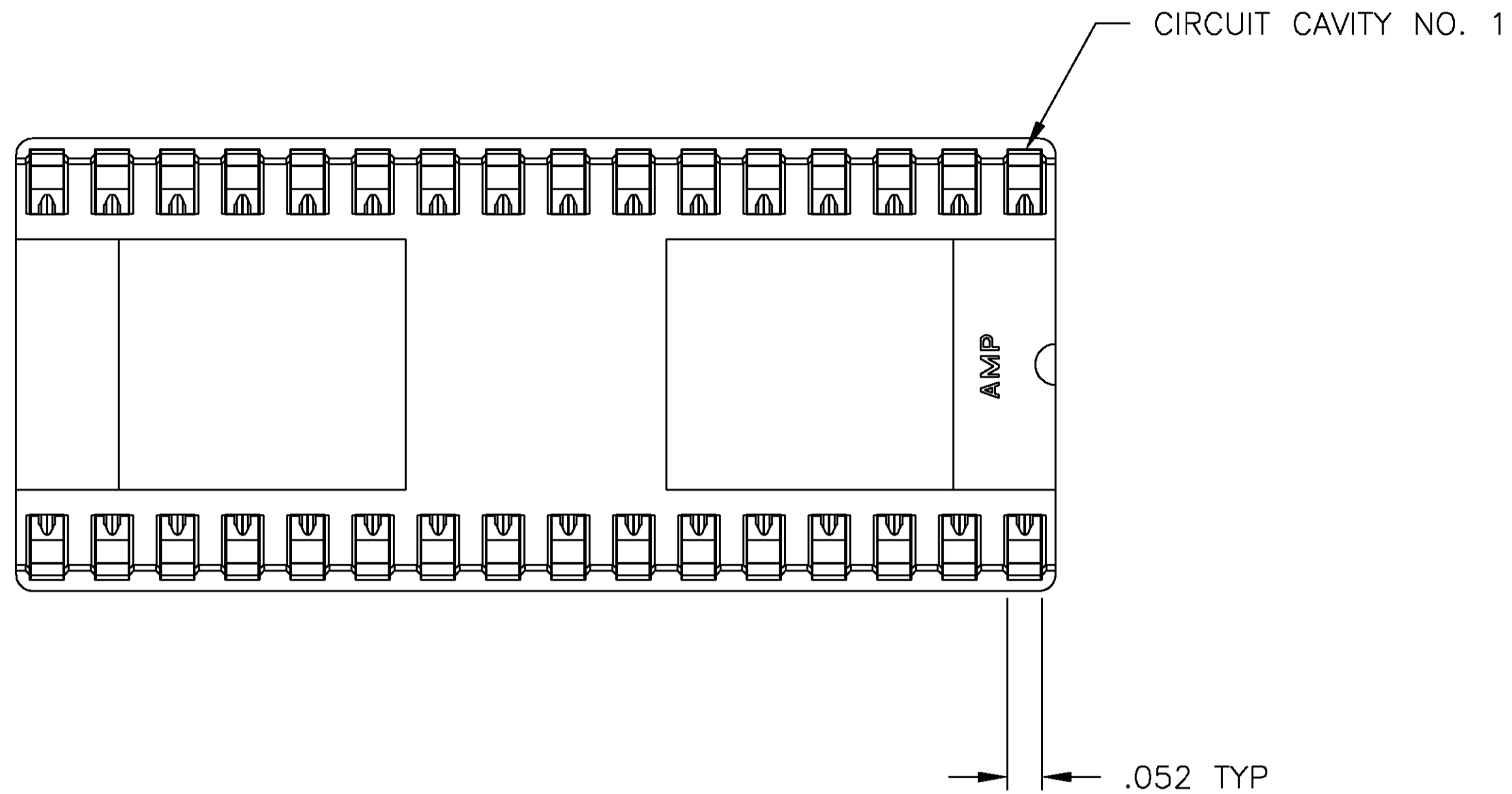


1. RECEPTACLE ACCEPTS A .008-.014 THICK I.C. LEAD.
2. TUBE LOADED.
3. TWO .000015 MIN THK. GOLD STRIPES IN CONTACT AREA WITH TIN-LEAD (93/7) ON SOLDER LEGS, BALANCE OF CONTACT NICKEL PLATED.



OBSOLETE	CONTACT FINISH	TINNED	CONTACT MAT'L	PHOS. BRZ	HOUSING MATERIAL	BROWN GLASS-FILLED PCT	PART NO.	2-382470-4
		TINNED	BE.CU.	PHOS. BRZ	BROWN GLASS-FILLED PCT			2-382470-3
		TINNED	BE.CU.	PHOS. BRZ	BROWN GLASS-FILLED PCT			2-382470-1
		TINNED	BE.CU.	PHOS. BRZ	BROWN GLASS-FILLED PCT			2-382470-4

THIS DRAWING IS A CONTROLLED DOCUMENT.		REVISED BY		DATE		DRAWN BY		DATE	
		R BROWN		17NOV00		H WYNKOOP		17NOV00	
DIMENSIONS:		TOLERANCES UNLESS OTHERWISE SPECIFIED:		APPROVED BY		NAME		Tyco Electronics Corporation	
INCHES		0 PLC ± -		H WYNKOOP		HARRISBURG, PA 17105		HARRISBURG, PA 17105	
		1 PLC ± -		H WYNKOOP		NAME		SOCKET ASSY, DIP, HT, 32 POS, DIPLOMATE™ DL	
		2 PLC ± -		H WYNKOOP		PRODUCT SPEC		108-1066	
		3 PLC ± .005		H WYNKOOP		APPLICATION SPEC		114-1052	
		4 PLC ± -		H WYNKOOP		SIZE		A1	
		ANGLES ± -		H WYNKOOP		CAGE CODE		382470	
MATERIAL		FINISH		WEIGHT		DRAWING NO		RESTRICTED TO	
SEE TABLE		SEE TABLE		-		100779		-	
						CUSTOMER DRAWING		SCALE 5:1 SHEET 1 OF 1 REV G	